

S I G H T  M A R K [®]

USER MANUAL



SS2000 Flashlight

English

ABOUT SIGHTMARK®

Sightmark offers a wide range of products that include red dot scopes, reflex sights, rangefinders, riflescopes, laser sights, night vision and award-winning flashlights and boresights. Sightmark products are inspired by military and law enforcement applications. All products are designed to be the most effective weapon accessories possible.

Sightmark - MAKE YOUR MARK

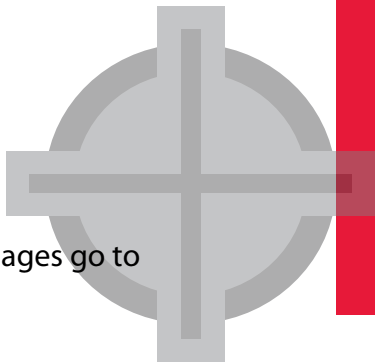
S I G H T  M A R K®

www.sightmark.com

SS2000 Flashlight 1- 10

English

To view this manual in other languages go to
www.sightmark.com



ENGLISH



FEATURES:

- 2000 lumen Cree® LED
- Selector switch improves mode selection agility
- Operating Modes: 2000 lumen, 280 lumen, Strobe
- Pressure switch
- Recoil resistant
- Type II mil-spec anodizing
- Waterproof
- Rechargeable batteries
- Weapons mountable



TECHNICAL SPECIFICATIONS

Bulb type	3x Cree T6 LED
Bezel Diameter	59mm
Output	Max 2000 lumens
Battery life	2000 Lumens - 1 hr 280 Lumens - 10 hrs.
Battery type	2x 18650Li-Ion rechargeable batteries
Finish	Type II anodizing
Dimensions	251x29mm / 25.4mm (mounting section)
Weight (includes batteries)	20.5oz
Waterproof rating	IPX-7, submersible to 1m for 1 hr

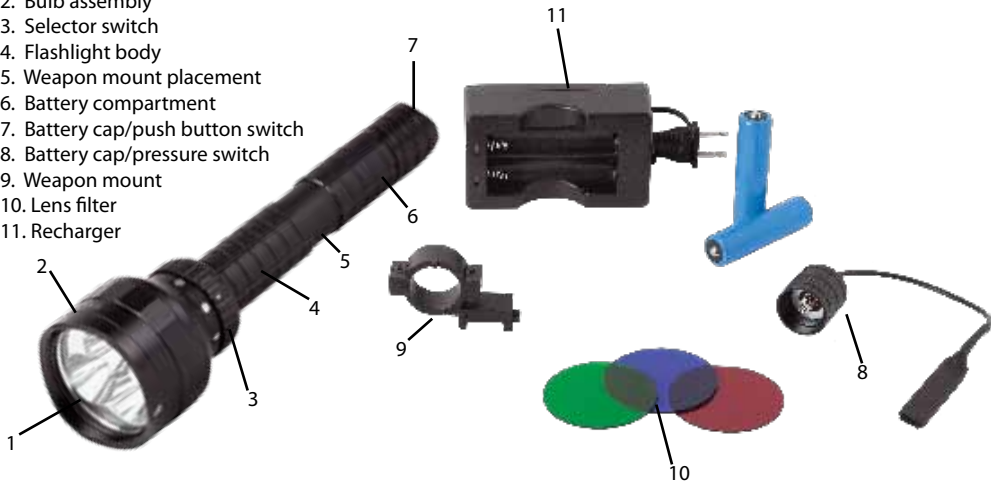
SS2000 INCLUDES:

- Two 18650 Li-Ion rechargeable batteries
- Recharger
- 3 Filters (green, red, blue)
- Weapons mount
- Pressure pad
- Lanyard



DIAGRAM

1. Bezel head cap
2. Bulb assembly
3. Selector switch
4. Flashlight body
5. Weapon mount placement
6. Battery compartment
7. Battery cap/push button switch
8. Battery cap/pressure switch
9. Weapon mount
10. Lens filter
11. Recharger



ABOUT THE SIGHTMARK SS2000 FLASHLIGHT

Equipped with a selector switch that cycles through three settings; 2,000 lumen, 280 lumen or strobe, the Sightmark SS2000 makes a great addition to any tactical or hunting kit. The unique strobe mode feature of the Sightmark SS2000 extends the applications to emergency situations as an alert or as a decoy to distract and disorient targets. The Sightmark SS2000 Tactical Flashlight is equipped with two rechargeable batteries, a battery recharger, a weapon mount, on/off push button, pressure switch and three filters. The unit is recoil resistant, waterproof, lightweight and protected by Sightmark's limited lifetime warranty. This is the perfect addition to the award winning Triple Duty Series- shooting, hunting, tactical as well as for camping, hiking, home use and vehicle emergencies.

BATTERIES

The SS2000 is powered by two CR18650 rechargeable batteries.

To insert or remove the battery:

- 1) Rotate the battery cap/switch (7/8) counterclockwise until it separates from the flashlight body (5).
- 2) Insert both CR18650 rechargeable batteries into the battery compartment (6), with the positive end first.
- 3) Replace the battery cap/switch (7/8) onto the flashlight body (4). To tighten, rotate the cap/switch clockwise until fixed firmly. Do not overtighten.

Charging the CR18650 batteries

- 1) Plug in the recharger (11) into a wall outlet. The LED indicators should turn green.
- 2) Place the two CR18650 batteries in the recharger according to the polarity indication on the recharger. The LED indicators should turn red.
- 3) Once charging is complete, the LED indicators will turn green.
- 4) Remove the batteries, unplug the recharger and store properly.

NOTE:Charging from full-discharge to full charge takes approximately 5 hours.



SWITCH OPERATION

After inserting the batteries, install the desired battery cap/switch.

Push button switch (7):

- 1) For momentary operation, press lightly on the rubber button on the back of the switch.
- 2) For permanent operation, press the rubber button until you hear or feel a "click", then release.
- 3) To turn the flashlight off, press the rubber button a second time until you hear or feel a "click", then release.

Pressure switch (8):

- 1) For momentary operation, press firmly on the pressure pad.
- 2) To turn the flashlight off, release the pressure on the pressure pad.

SELECTOR SWITCH OPERATION

The selector switch changes the flashlight's mode which includes full brightness, low brightness, and strobe mode. This allows the user to rapidly change the mode of operation. The mode will remain when the flashlight is turned on and off.

To operate:

- 1) Locate the selector switch (3) behind the bulb assembly (2).
- 2) Rotate the switch to one of the selection points marked with the icon. When a click is felt and heard the flashlight's mode will change.



FULL BRIGHTNESS



HALF BRIGHTNESS



STROBE

MOUNTING

Before mounting the flashlight onto your firearm, be sure the firearm is unloaded and safe to handle.

To mount:

- 1) Using the Allen wrench, loosen the two screws on the weapon mount's (9) ring.
- 2) Remove the top part of the ring mount and insert the weapon placement (5) portion of the flashlight into the mount's base ring.
- 3) Attach the top part of the ring mount and tighten the ring screws. Do not over tighten.
- 4) Next, loosen the mounting bolt on the weapon mount using the provided Allen wrench.
- 5) Position the weapon mount onto your firearm's base. Due to the size of the flashlight, the head must extend beyond the end of the quad rail to fit properly.



ATTACHING LENS FILTERS

The SS2000 Triple Duty Flashlight includes a blue, red and green lens filter (10). Green filters provide the best visibility in a forest or jungle setting while using the lowest light spectrum possible. Red filters help preserve night vision and assists with varmint hunting without easily being detected by prey. They also assist users with reading maps in low light conditions. Blue filters are ideal for tracking game, as they assist in illuminating blood trails.

To attach the lens filter:

- 1) Locate the bezel head cap (1) and unscrew counterclockwise until the bezel head cap is removed.
- 2) Place the preferred lens filter on top of the clear protective lens or fit the filter in the bezel head cap.
- 3) Screw clockwise the bezel head cap until firmly tight. Do not over tighten.

STORAGE

Make sure that your Sightmark tactical flashlight is securely attached to your firearm before storing, and be sure the unit is turned off. Remove the battery if the flashlight will be stored for an extended period of time.

MAINTENANCE

The flashlight may be cleaned using a soft cloth and water, or a gun cleaning solvent, when exposed to dirt, dust, or other residue. Clean the lens using a soft cloth dipped in water or denatured alcohol. To clean residue from contacts, use a cotton swab dipped in denatured alcohol. Maintain threads and O-rings by applying silicon-based grease to those areas.

WARNING

Before handling the flashlight, read and understand the contents of your firearm's manual, and the Sightmark SS2000 flashlight manual. Follow all standard safety precautions and procedures during firearm operation, even when the flashlight is not in use.

- NEVER point the flashlight directly at, or into, an eye. This may cause damage to the eye or blindness. The flashlights produce enough light to identify an individual without direct illumination to the face.
- Avoid looking directly into the flashlight's beam.
- Avoid shining the flashlight into mirrors or other reflective surfaces.
- Avoid hitting or dropping the unit.
- ALWAYS check that the chamber of your weapon is clear before mounting or dismounting the flashlight.
- ALWAYS remove the flashlight when cleaning or performing other maintenance on your firearm.
- The flashlight should be tested during periods of non-use to make sure it is still operating properly.
- NEVER place the flashlight bulb side down on a surface while it is turned on. The bulb generates heat that can damage the unit or the surface it is on.

Failure to follow standard firearm safety precautions and procedures, as well as the above warnings, is dangerous and may result in serious injury, damage to property, or death.



SIGHTMARK LIMITED WARRANTY

Please visit www.sightmark.com for warranty details and information.

S I G H T  M A R K [®]

www.sightmark.com